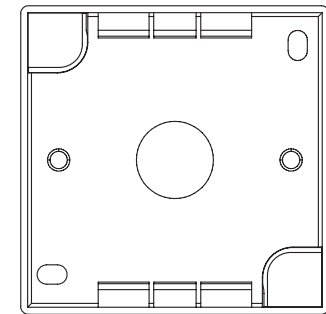
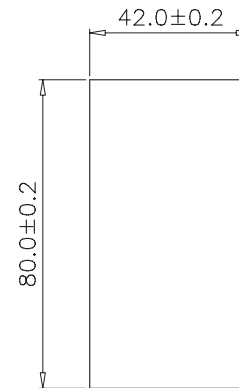
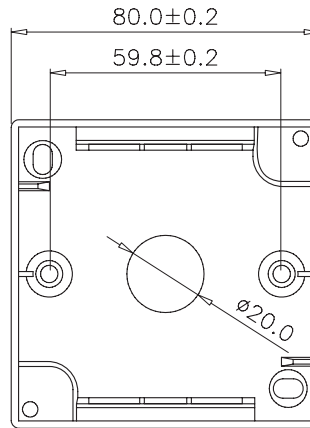


SCALE 1/2



Specification :

Material :

- 1. Box : ABS, UL 94V-0.
- 2. Nut : 6 x 19mm & 3.5 x 25mm.
- 3. Hang-on Screw : M3.5 x L21 mm.
- 4. Frame Screw : M3.5 x L25 mm.

GENERAL TOLERANCE OF DIMENSIONS

X.XXX	±0.005
X.XX	±0.05
X.X	±0.1



Universal surface mounting box
for equip pro keystone jacks